



ISOMETER® IR1570 IR1575

Insulation Monitoring Device
for IT AC systems (1570)
for IT AC and IT DC systems (1575)



Service and support for Bender products

First-level support

Technical support

Carl-Benz-Strasse 8 • 35305 Grünberg • Germany

Telephone: +49 6401 807-760

0700BenderHelp *

Fax: +49 6401 807-629

E-mail: support@bender.de

Available on 365 days from 7.00 a.m. to 8.00 p.m. (MEZ/UTC +1)

* Landline German Telekom: Mon-Fri from 9.00 a.m. to 6 p.m.: 6.3 cents/30 sec.;
remaining time: 6.3 cents/min.

Mobile phone: higher, depending on mobile phone tariff

Repair service

Repair, calibration and replacement service

Londorfer Strasse 65 • 35305 Grünberg • Germany

Telephone: +49 6401 807-780 (technical issues) or

+49 6401 807-784, -785 (commercial issues)

Fax: +49 6401 807-789

E-mail: repair@bender.de

Field service

On-site service

Telephone: +49 6401 807-752, -762 (technical issues) or

+49 6401 807-753 (commercial issues)

Fax: +49 6401 807-759

E-mail: fieldservice@bender.de

Mon-Thu 7.00 a.m. to 4.00 p.m., Fri 7.00 a.m. to 1 p.m. (MEZ/UTC +1)

Table of Contents

1. Safety information	5
1.1 Use for the intended purpose	5
1.2 Warranty and liability	5
1.2.1 Personnel	6
1.2.2 Hazards when handling the ISOMETER® IR157x	6
1.2.3 Inspection, transport and storage	6
1.2.4 Note	6
1.3 Explanations of symbols and warnings	7
1.4 Directions for installation	7
2. Function	9
2.1 Common characteristics (IR1570 and IR1575)	9
2.2 Additional characteristics IR1575	9
2.3 Product description	9
2.4 Function	10
3. Commissioning flow chart	13
4. Connection	16
4.1 Wiring	16

5. Operating and setting	19
5.1 Operating elements and displays IR157x	19
5.1.1 Display in the standard mode	20
5.1.2 Display in the menu mode	20
5.1.3 Function keys	21
5.2 Menu structure	22
5.2.1 Diagram menu structure	23
5.3 Menu ISO SETUP: Setting of the basic ISOMETER® functions	24
5.3.1 Response values Alarm 1 and Alarm 2	24
5.3.2 Operating principle of the alarm relays	24
5.3.3 Diagram ISO SETUP	25
5.3.4 Memory setting (on/off)	26
5.4 Menu PASSWORD	27
5.4.1 Activating and setting the password	27
5.4.2 Diagram PASSWORD	27
5.5 Menu LANGUAGE	28
5.5.1 Setting the national language	28
5.5.2 Diagram Language	28
5.6 Menu SERVICE	29
5.7 Menu INFO	29
5.7.1 Diagram INFO	29
6. Technical Data IR1570/1575	30
6.1 Data in tabular form	30
6.2 Standards and approvals	32
6.3 Characteristic curves	33
6.4 Dimension diagram enclosure IR157x	35
6.5 Ordering details	36
6.5.1 Standard version	36
6.5.2 Label for modified versions	37

1. Safety information

1.1 Use for the intended purpose

The ISOMETER® is intended for:

- monitoring the insulation resistance of IT systems

Any other use, or any use which goes beyond the foregoing, is deemed to be use other than for the intended purpose.

Use for the intended purpose also includes

- compliance with all information in the operating instructions, and
- compliance with test intervals.

As a basic principle, our "General conditions of Sale and Delivery" shall apply. At the latest, these shall be available to the operator when the contract is concluded.

1.2 Warranty and liability

Warranty and liability claims in cases of damage to persons and property shall be excluded if they are attributable to one or more of the following causes:

- Use of the ISOMETER® other than for the intended purpose
- Incorrect assembly or installation, commissioning, operation and maintenance of the ISOMETER®.
- Failure to comply with the information in the operating instructions regarding transport, commissioning, operation and maintenance of the ISOMETER®.
- Unauthorized structural modifications to the ISOMETER®.
- Failure to comply with the technical data
- Improperly executed repairs, and the use spare parts or accessories which are not recommended by the manufacturer.
- Cases of disaster and force majeure
- Assembly and installation with device combinations not recommended.

This operating manual, especially the safety information, must be observed above all by personnel who work on the ISOMETER®.

In addition, the rules and regulations that apply for accident prevention at the place of use must be observed.

1.2.1 Personnel

Only appropriately qualified staff may work on the ISOMETER®. Qualified means familiar with the installation, commissioning and operation of the product and with training appropriate to the work.

Personnel must have read and understood the safety section and warning information in this operating manual.

1.2.2 Hazards when handling the ISOMETER® IR157x

The ISOMETER® IR157x is constructed according to the state-of-the-art and recognized technical safety rules. Nevertheless, when it is being used, hazards may occur to the life and limb of the user or third parties, or there may be adverse effects on the ISOMETER® or on other valuable property. The ISOMETER® must only be used:

- for the purpose for which it is intended
- when it is in perfect technical conditions as far as safety is concerned

Any faults which may impair safety must be eliminated immediately. Impermissible modifications and the use of spare parts and additional devices which are not sold or recommended by the manufacturer of the devices may cause fires, electric shocks and injuries.

Unauthorized persons must not have access to or contact with the ISOMETER®.

Warning signs must always be easily legible. Damaged or illegible signs must be replaced immediately.

1.2.3 Inspection, transport and storage

Inspect the dispatch packaging and equipment packaging for damage, and compare the contents of the package with the delivery documents. In the event of damage in transit, please inform the BENDER company immediately.

The devices must only be stored in areas protected from dust, damp and spray or dripping water, and in which the specified storage temperatures are maintained.

1.2.4 Note

Make sure that the operating voltage is correct!

Prior to insulation and voltage tests, the ISOMETER® must be disconnected from the power system for the duration of these tests.

In order to check the proper connection of the device, it is recommended to carry out a functional test.

Make sure that the basic settings meet the requirements of the system.

Children and unauthorized persons must not have access to or contact with the ISOMETER®.

1.3 Explanations of symbols and warnings

The following symbols are used in Bender documentations to draw attention to important information and to make it easier to find certain text passages.

The following examples explain the meaning of the symbols:



DANGER! Indicates a high risk of danger that will result in death or serious injury if not avoided.



WARNING! Indicates a medium risk of danger that can lead to death or serious injury, if not avoided.



CAUTION! Indicates a low-level risk that can result in minor or moderate injury or damage to property if not avoided.



Information can help to optimise the use of the product.

1.4 Directions for installation



CAUTION! Ensure disconnection from the IT system! Only one insulation monitoring device may be used in each interconnected IT system.

When insulation or voltage test are to be carried out, the device shall be isolated from the system for the test period.



CAUTION! Connect terminals \equiv and KE separately to PE! The terminals \equiv and KE shall be connected by a separate wire to the protective conductor (PE). If the terminals L1, L2 of the device are connected to a system under operation, the terminals \equiv and KE must not be disconnected from the protective conductor (PE).

In order to check the proper connection of the device, it is recommended to carry out a functional test using an insulation fault R_F against earth, e.g. via a suitable resistance, before starting the ISOMETER®.

The devices, variant -4.. are delivered with the following factory setting:

ISO SETUP:	Alarm 1 / Alarm 2	=	40 k Ω /10 k Ω
ISO SETUP:	Operating principle K1/K2	=	N/O operation
ISO SETUP:	Memory	=	off

Please check if the basic setting of the ISOMETER® complies with the requirements of the system to be monitored.

To IR1575 it applies that insulation faults in DC circuits connected to the AC system are only monitored correctly when the rectifiers carry a continuous load of > 5...10 mA.

2. Function

2.1 Common characteristics (IR1570 and IR1575)

- ISOMETER® for IT AC systems (IT = unearthed systems)
- DC measuring principle (IR1570 only)
- Two separately adjustable ranges of the response value 2 k Ω ...1 M Ω (Alarm 1, Alarm 2)
- Two-line LC display
- Connection monitoring of the measuring leads to the IT system and to earth
- Automatic device self-test
- Option „W“:
This option provides: improved shock and vibration resistance for use in ships, on rolling stock and in seismic environment

2.2 Additional characteristics IR1575

- ISOMETER® for IT AC systems with galvanically connected rectifiers and for IT DC systems and for IT DC systems U_n up to 480 V
- Automatic adaptation to the existing system leakage capacitance C_e up to 60 μ F
- AMP measuring principle (European Patent: EP 0 654 673 B1)

2.3 Product description

The ISOMETER® type IR157x monitors the insulation resistance of IT systems. IR1570 is suitable for use in 3(N)AC and AC systems, IR1575 is suitable additionally also in DC systems. In AC systems, which are monitored by IR1575, may include extensive DC supplied loads, such as rectifiers. The device automatically adapts itself to the existing system leakage capacitance.

2.4 Function

The ISOMETER® IR157x is connected between the unearthed system and the protective conductor (PE).

The response values and other function parameters are set via the function keys. The parameters are indicated on the LC display and are stored in a non-volatile memory (EEPROM) after the setting is completed.

IR1570:

A DC measuring voltage is superimposed on the AC system to be monitored.

IR1575:

A microprocessor-controlled pulsating AC measuring voltage is superimposed on the AC system to be monitored (AMP measuring principle, "adaptive measuring pulse", developed by BENDER; European Patent: EP 0 654 673 B1). The measuring cycle consists of positive and negative pulses of the same amplitude. The period depends on the respective system leakage capacitances and the insulation resistances of the system to be monitored.

An insulation fault between system and earth closes the measuring circuit. From the measured current value, the microprocessor calculates the insulation resistance which is indicated on the LC display or the external k Ω measuring instrument. The measuring time is determined by the system leakage capacitances, the insulation resistance, and the system-related interference disturbances. System leakage capacitances do not influence the measuring accuracy.

If the reading is below the selected response values Alarm 1/Alarm 2, the associated alarm relays respond and the alarm LEDs "Alarm 1/2" light up and the measuring value is indicated on the LC display (in the event of DC insulation faults, the faulty supply line is indicated). If the terminals R1/R2 are bridged (external RESET button [NC contact] or wire bridge), the fault indication will be stored. Pressing the RESET button, resets the fault message, provided that the currently displayed insulation resistance is at least 25 % above the actual response value. The fault memory behaviour can also be set in the "ISO SETUP" menu, by selecting the sub menu Memory: on/off.

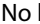
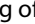
By pressing the TEST button, the function of the ISOMETER® IR157x in can be tested. In this way, all essential measuring functions as well as connections to the system and to earth are checked. This self-test is automatically carried out every 24 hours. In addition the self-test is automatically carried out after the supply voltage has been switched on.

Self test

In order to guarantee high functional reliability, the ISOMETER® IR157x provides comprehensive self test functions. After switching the supply voltage on, all internal measuring functions, the components of the process control such as data and parameter memory as well as system and earth connections are checked using the self test functions. The progress of the self test is indicated on the display by a bar graph. Depending on the system conditions, the self test is running 15...20 seconds, then the message "Test ok!" appears on the LC display for approximately 2 seconds. Then the device returns to normal measuring mode and the current measuring value is displayed after the expiry of the measuring time.

When a fault is found, the message "!Error!" appears on the display, the system fault LED lights up, the relay K2 (21-22-24) switches and the respective fault message (see table) is indicated. If such a system fault occurs, a self test is started again every minute. If no more malfunction is detected, the fault message is deleted automatically and the system fault LED extinguishes.

During operation, the self test function can be started by pressing the TEST button (internal or external). The alarm relays Alarm1/2 only switch after starting the self test function by pressing the TEST button.

Error message	Meaning	Steps to be taken
System connection?	No low-resistance connection of terminals L1, L2 to the system	<ol style="list-style-type: none"> 1. Check the wiring of terminal L1, L2 to the system 2. Press the test button 3. Switch the supply voltage off and on. 4. Check the fuses
Connection PE?	No low-resistance connection of the terminals  and KE to earth (PE)	<ol style="list-style-type: none"> 1. Check wiring of terminal  and KE to earth (PE) 2. Press TEST button 3. Switch the supply voltage off and on
Device error x	Internal device error	<ol style="list-style-type: none"> 1. Press TEST button 2. Switch the supply voltage off and on 3. Contact Bender

Reset of process control



If the on/off switching of the supply voltage is not possible for technical reasons, a RESET of the process control can be carried out by pressing the "RESET", "MENU" and "TEST" key in a special order.

Proceed as follows:

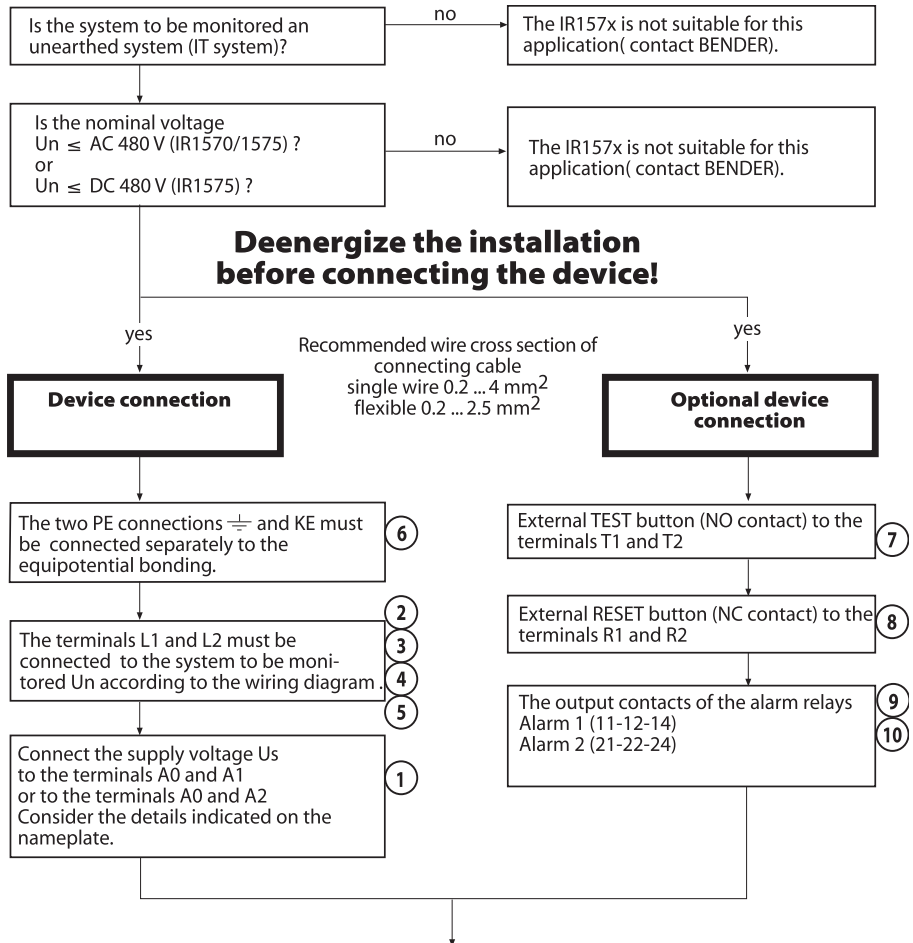
1. Press and hold the RESET button
2. Press and hold the MENU button
3. Press the TEST button at least for two seconds

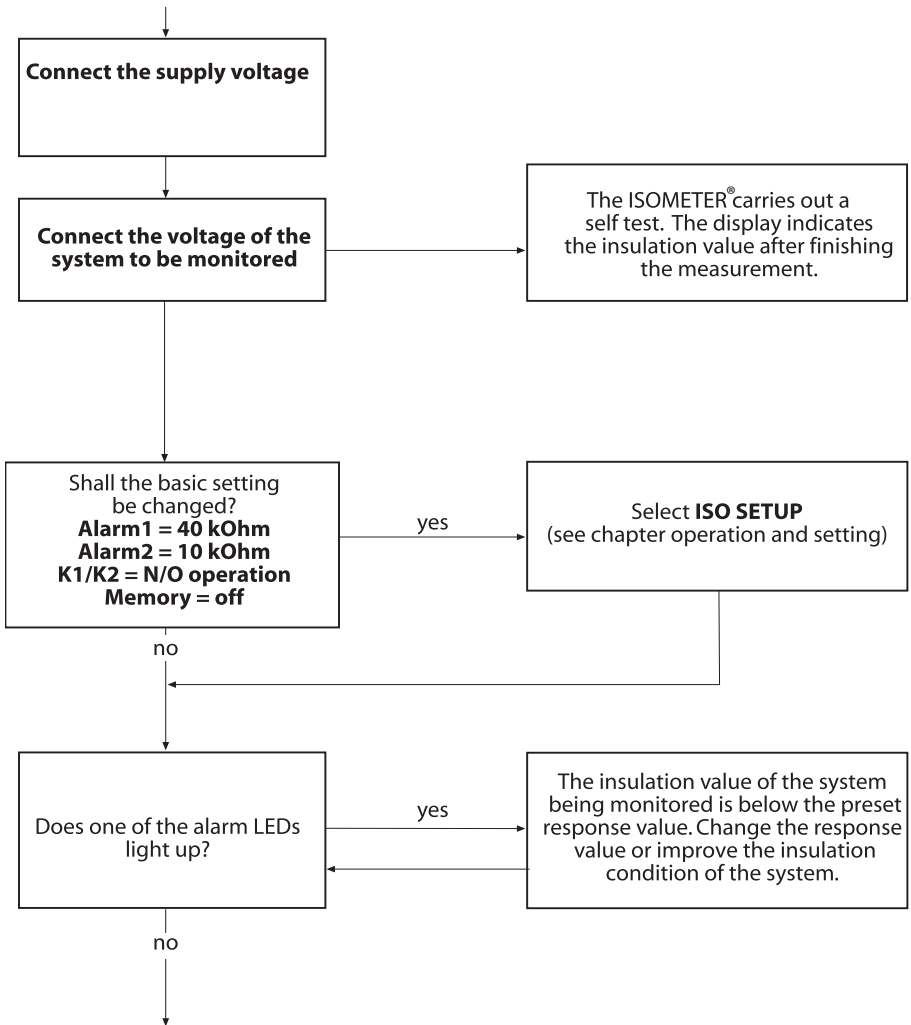
After passing through this sequence the process control including a self-test will be restarted.

3. Commissioning flow chart

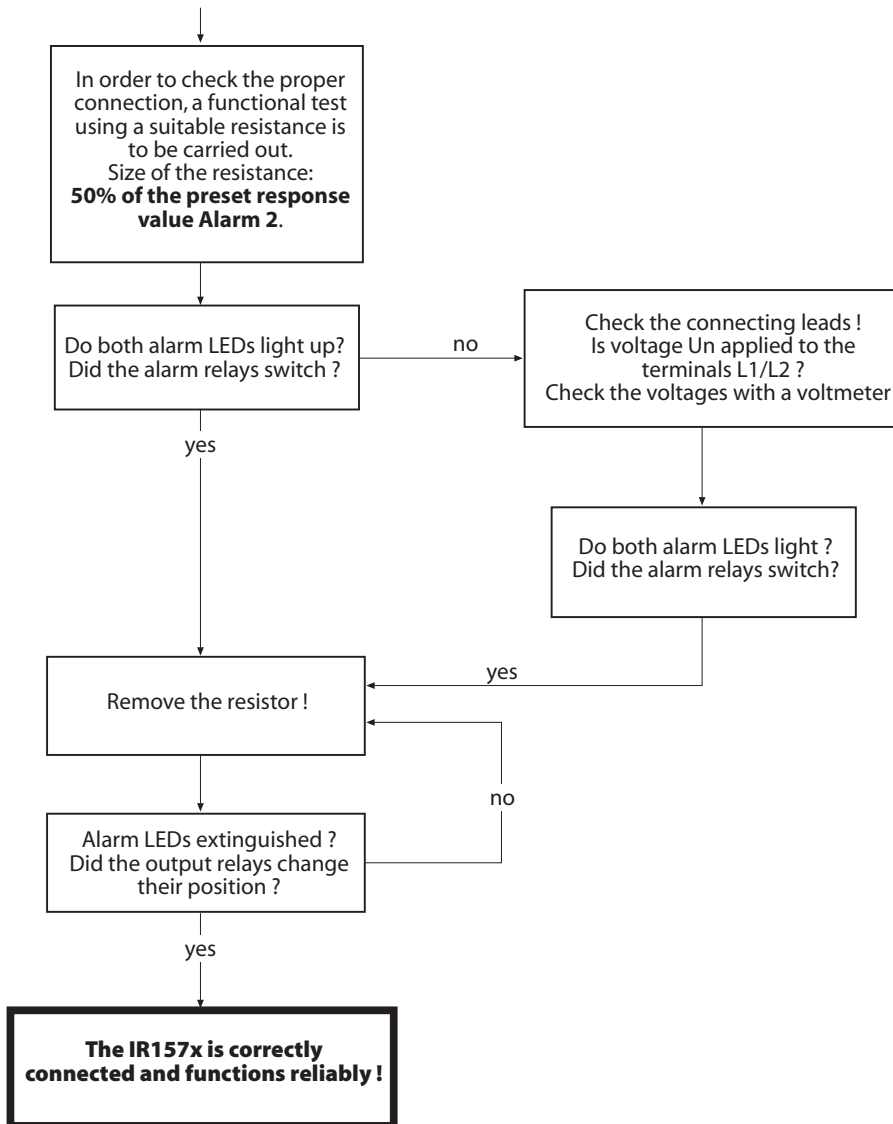
The encircled figures in the flow chart correspond to the figures in the legend to the wiring diagram (see [page 18](#)).

Commissioning of ISOMETER® (1)



Commissioning of the ISOMETER® (2)

Commissioning of the ISOMETER® (3)



4. Connection

4.1 Wiring

The ISOMETER® has plug-in terminals.

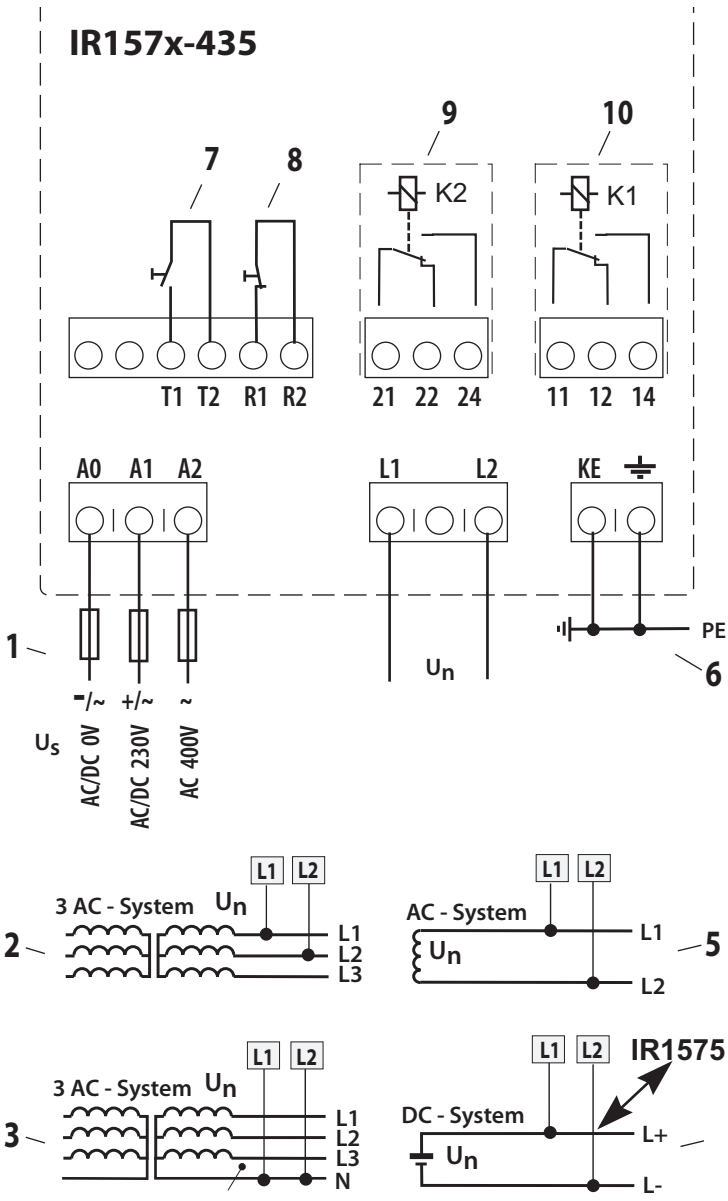
Connect the terminals A0/A1 and A0/A2 to the supply voltage U_S in accordance with IEC 60364-4-43. The connections to the supply voltage shall be provided with protective devices to afford protection in the event of a short-circuit (a 6 A fuse is recommended).

Devices for protection against short-circuit in conformity with IEC 60364-4-43 for the IT system coupling L1/L2 can be omitted if the wiring is carried out in such a manner as to reduce the risk of a short-circuited to a minimum (a short-circuit-proof and earth-fault-proof wiring is recommended).


Use the accompanying terminal covers for terminal protection

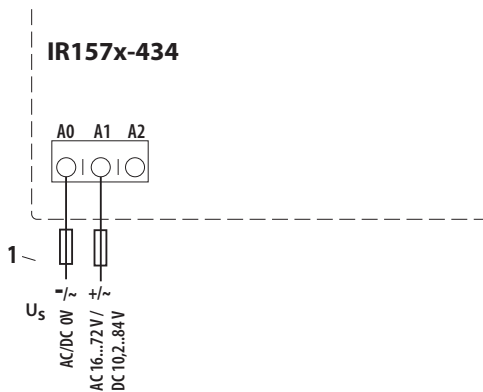
Only one ISOMETER® may be triggered by an external TEST or RESET button. A galvanic parallel connection of several TEST and RESET inputs for common testing of ISOMETER®s is not permitted.

IR157x-435



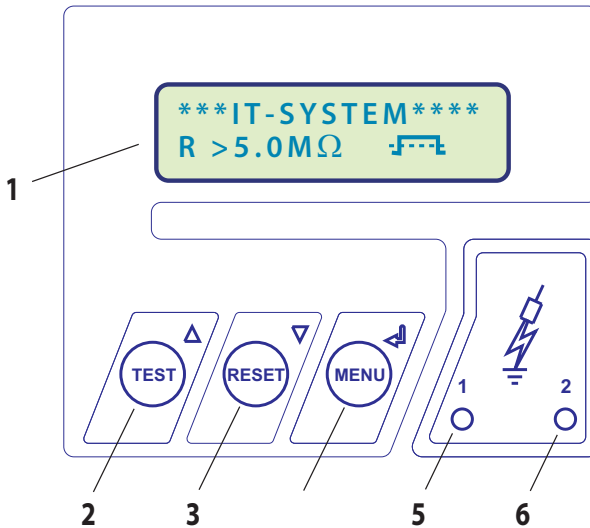
Legend to wiring diagram:

- 1 Supply voltage U_s (see name plate, technical data on [page 30](#) or the ordering details) via 6 A fuse:
 Power supply A0/A1: AC 88...264 V, DC 77...286 V
 Power supply A0/A2: AC 320...480 V
- 2,3 Connection of the 3AC system to be monitored:
 connect terminals L1, L2 to neutral conductor N or
 terminals L1, L2 to conductor L1, L2
- 4 Connection of the DC system to be monitored (**IR1575 only!**):
 connect terminal L1 to conductor L+, terminal L2 to conductor L-
- 5 Connection of the AC system to be monitored:
 connect terminal L1, L2 to conductor L1, L2
- 6 Separate connection of  and KE to PE
- 7 External TEST button (NO contact)
- 8 External RESET button (NC contact or wire jumper),
 when the terminals are open, the fault message will not be stored,
 factory setting: Memory off!
- 9 Alarm relay K2
- 10 Alarm relay K1



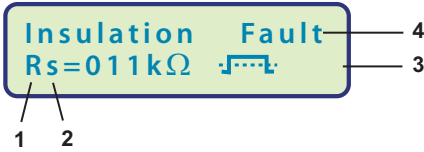
5. Operating and setting

5.1 Operating elements and displays IR157x



- 1 Two-line display for standard and menu mode
- 2 TEST button: to call up the self test/
Up key: parameter change, moving up in the menu
- 3 RESET button: to delete insulation fault messages /
Down key: parameter change, moving down in the menu
- 4 MENU button: activating the menu system /
Enter key: confirmation parameter change
- 5 Alarm-LED 1 lights: insulation fault, first warning level reached
- 6 Alarm-LED 2 lights: insulation fault, second warning level reached
or system fault

5.1.1 Display in the standard mode



- 1** Indication of the insulation resistance in kΩ
Additional information about the insulation resistance:
- 2** „+“ = insulation fault at L+
„-“ = insulation fault at L-
„S“ = new measurement has started
Measuring techniques:
(IR1570, DC: -----)
- 3** (IR1575, AMP:)
 = Polarity of the measuring pulse (AMP, IR1575)
- Messages:
- Insulation fault
- 4** - Connection system?
- Connection PE?
- Device error x

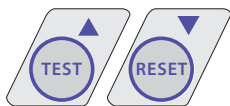
5.1.2 Display in the menu mode



- Parameter change is permitted
- Parameter change is blocked, enabling by a password

5.1.3 Function keys

Two functions are assigned to each function key. In addition to the basic function marked with a circle, all the keys allow navigation within the menu.



Activating the TEST button starts the ISOMETER® self test.

Pressing the RESET button resets insulation fault alarms stored in the ISOMETER®. This function is only available after activating the fault memory in the ISO SETUP menu or after bridging R1/R2. Furthermore, the ISOMETER® can only be reset when the present insulation value is 25 % higher than the preset response value.



The menu system is called up by pressing the MENU key.

The UP/DOWN keys and the ENTER key are used for menu system control:



Up key:

Moving up in the menu, increasing a parameter



Down key:

Moving down in the menu, reducing a parameter



ENTER key

Selecting a menu item or sub menu item, confirming or storing a parameter change and going back to the associated sub menu item or going to the next input area.

When the menu is not closed, the device automatically returns to the display mode again after approximately five minutes.

For the sake of clarity, the following symbols are used for the functions RETURN, UP/DOWN in the menu diagrams of this operating manual:



5.2 Menu structure

Switchover to the menu mode

After pressing the MENU key, you can change from the standard mode to the menu mode. From the menu mode you can link to the different sub menus.

Navigation within the menu

Select the desired menu item using the UP/DOWN keys. The selected menu item is indicated by a flashing cursor. Press the ENTER key to open the associated sub menu.

Use the UP/DOWN keys again to select the desired parameters. Move the cursor to the edit field by pressing the ENTER key.

If you have reached the end of the main menu list, it will be indicated by the "Arrow UP" symbol.

Changing the parameters

When password protection is activated, indicated by the symbol "padlock closed"



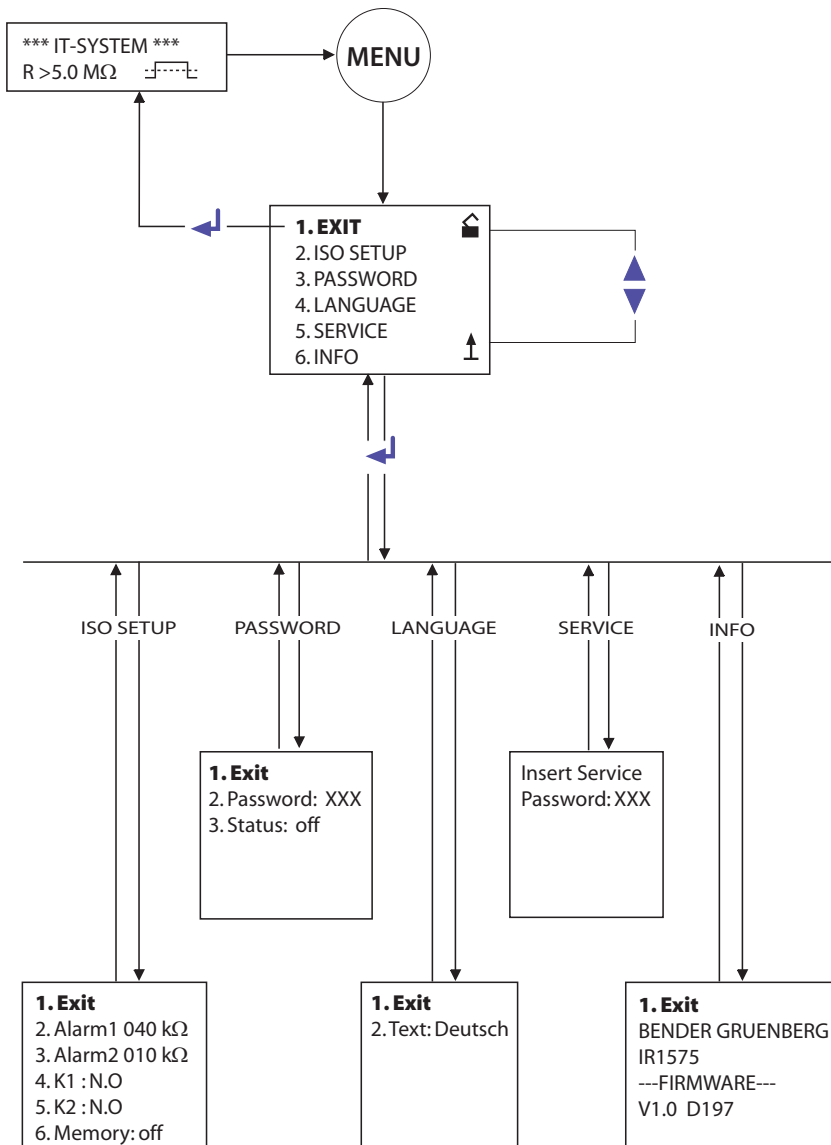
, the first thing to enter is the correct password before the parameters can be changed using the UP/DOWN keys. Entering the correct password once allows all parameters to be changed as long as you do not leave the menu.

Changing the parameter usually has an immediate effect on the measuring and alarm functions. The changed parameter is stored in a volatile memory by pressing the ENTER key after returning to the sub menu (flashing cursor in column 1). During menu operations, all measuring and alarm functions carry on working as usual in the background.

Changing from the menu mode to the standard mode

Select the menu item "EXIT" and press the ENTER key to leave the respective menu and to move to the next higher level. This is either the main menu or the standard mode. If you stay in the main menu or a sub menu longer than five minutes, the device will automatically switchover from the menu to the standard mode.

5.2.1 Diagram menu structure



5.3 Menu ISO SETUP: Setting of the basic ISOMETER® functions

All alarm functions such as Alarm 1 and Alarm 2 (prewarning and main alarm), the operating principle of the alarm relays K1 and K2 (N.O = N/O operation, N.C = N/C operation) and the fault storage are set in this menu.

5.3.1 Response values Alarm 1 and Alarm 2

The response values Alarm 1 and Alarm 2 are selected with the scroll keys and stored with the ENTER key.

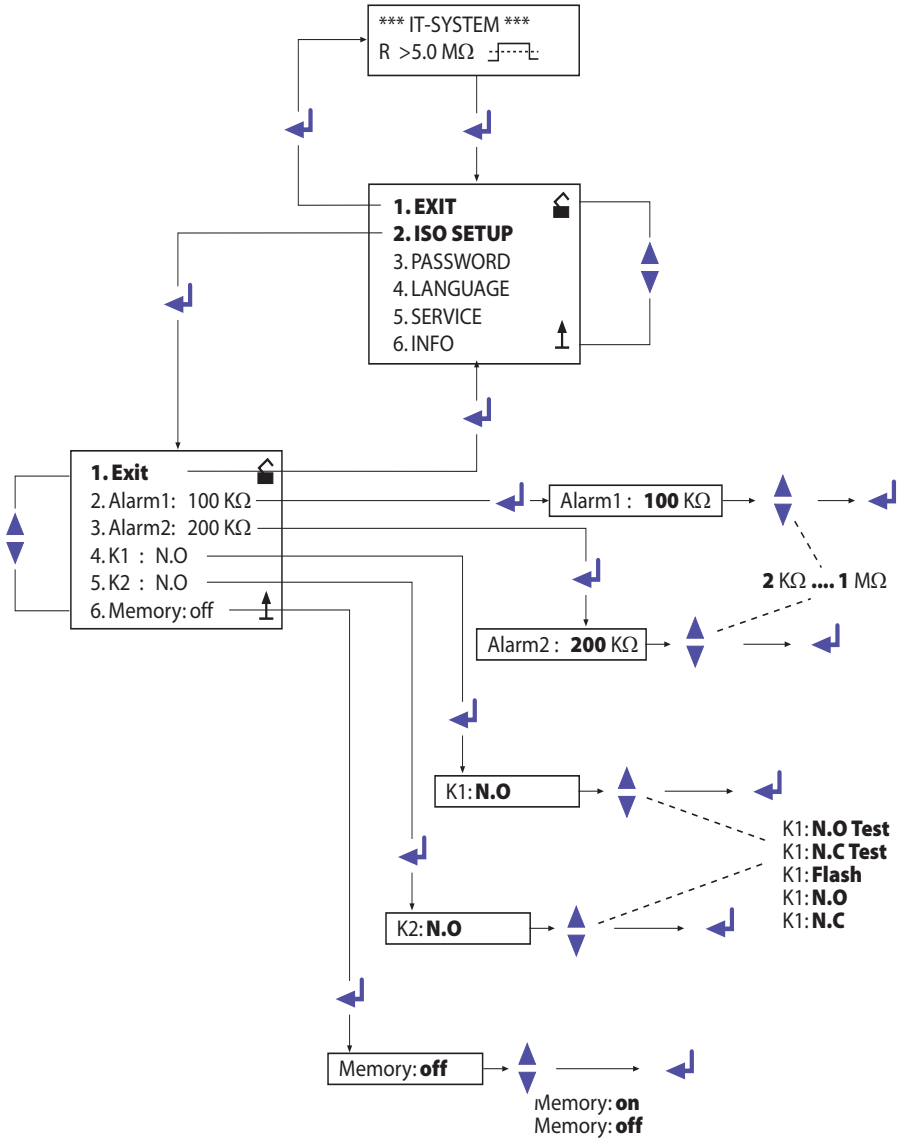
5.3.2 Operating principle of the alarm relays

K1/K2 are factory set to N.O Test, that means N/O operation. When the supplement "Test" has been selected, the alarm relays switch over during a manual self test. If, for any reason, the alarm relays may not switch over during a manual self test, the settings N.C or N.O are to be selected.

During the 24 hour self test the relays are not switched.

- K1: N.C Test = N/C operation contacts 11-12-14, with relay test
(the alarm relay is energized during normal operation)
- K1: N.O Test = N/O operation contacts 11-12-14, with relay test
(the alarm relay is deenergized during normal operation)
- K1: N.C = N/C operation contacts 11-12-14, without relay test
(the alarm relay is energized during normal operation)
- K1: N.O = N/O operation contacts 11-12-14, without relay test
(the alarm relay is deenergized during normal operation)
- K1: Flash = Flashing function contacts 11-12-14
(the alarm relay and the LED flash in the event of an alarm message, approximately 0.5 Hz)
- K2: N.C Test = N/C operation contacts 21-22-24, with relay test
(the alarm relay is energized during normal operation)
- K2: N.O Test = N/O operation contacts 21-22-24, with relay test
(the alarm relay is deenergized during normal operation)
- K2 : N.C = N/C operation contacts 21-22-24, without relay test
(the alarm relay is energized during normal operation)
- K2 : N.O = N/O operation contacts 21-22-24, without relay test
(the alarm relay is deenergized during normal operation)
- K2 : Flash = Flashing function contacts 21-22-24
(the alarm relay and the LED flash in the event of an alarm message, approximately 0.5 Hz)

5.3.3 Diagram ISO SETUP





When a defect occurs at the ISOMETER®, the relay K2 will automatically be activated as a system fault relay.

5.3.4 Memory setting (on/off)

Memory: on = Fault memory is activated

The device must be reset with the RESET button after clearing the fault.

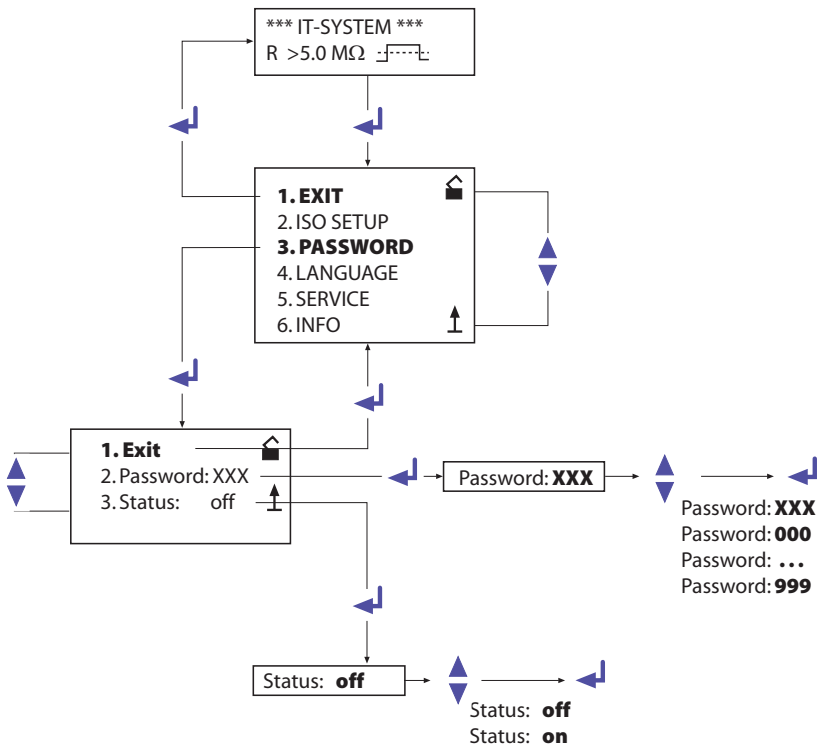
Memory: off= Fault memory deactivated (factory setting)

5.4 Menu PASSWORD

5.4.1 Activating and setting the password

This menu can be used to activate a "Password" query. This protects the ISOMETER® against unauthorized settings and modifications. The desired password (menu point 2. Password: xxx) can be set with the arrow keys and confirmed with the ENTER key. The password can be activated in the menu point "3. Status: on" by clicking the ENTER key. The factory setting is "3. Status: off", that means that the password is deactivated.

5.4.2 Diagram PASSWORD



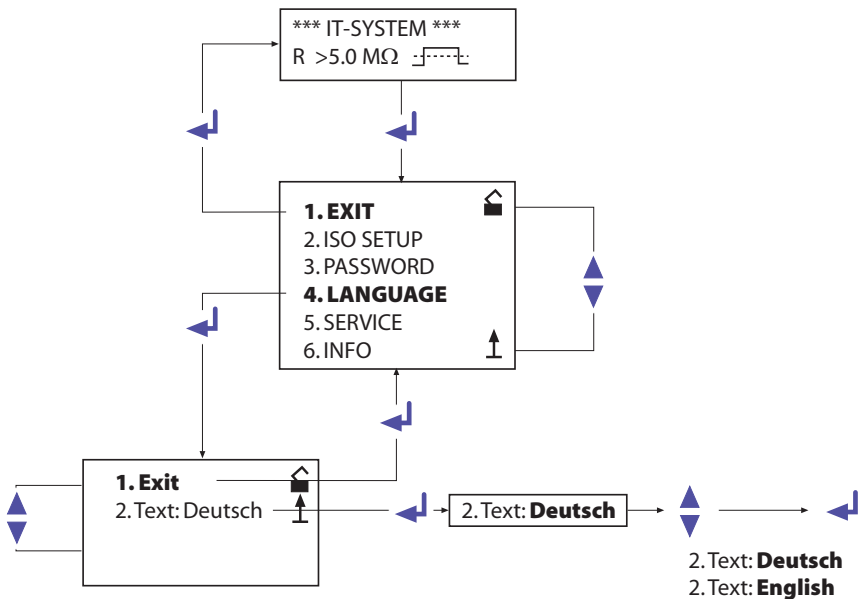
5.5 Menu LANGUAGE

5.5.1 Setting the national language

This menu item offers a selection of two languages for the indication of fault messages. Choose between English and German language.

The device menu is indicated in English language and cannot be changed by the language setting.

5.5.2 Diagram LANGUAGE



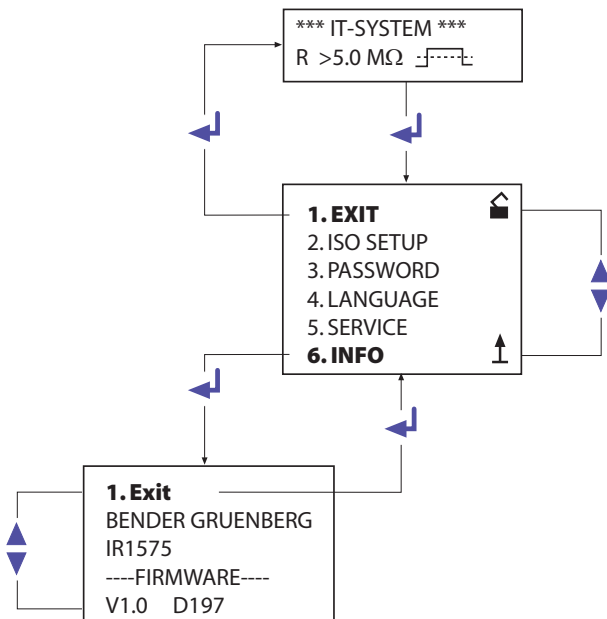
5.6 Menu SERVICE

This menu point is provided for the Bender service personnel and is protected by a password against erroneous settings. It is intended to provide fast fault clearance by qualified experts in the event of a device error.

5.7 Menu INFO

With the help of this menu you can query the type of the device. Additionally the display indicates the version of the software used in the device.

5.7.1 Diagram INFO



6. Technical Data IR1570/1575

6.1 Data in tabular form

Insulation coordination acc. to IEC 60664-1

Rated voltage.....	AC 500 V
Rated impulse voltage/pollution degree.....	4 kV/3

Voltage ranges

IR157x:

Nominal voltage range U_n	AC, 3(N)AC 0...480 V
Nominal frequency f_n	30...460 Hz

IR1575 (in addition):

Nominal voltage range U_n	DC 0...480 V
-----------------------------------	--------------

IR157x-435:

Supply voltage U_s to A0/A1 (see name plate).....	AC 88...264 V
Frequency range of U_s	42...460 Hz

Supply voltage U_s to A0/A2 (see name plate).....	AC 340...460 V
--	----------------

Frequency range of U_s	47...63 Hz
--------------------------------	------------

Supply voltage U_s to A0/A1 (see name plate)	DC 77...286 V
---	---------------

IR157x-434:

Supply voltage U_s to A0/A1 (see name plate).....	AC 16...72 V
--	--------------

Frequency range of U_s	42...460 Hz
--------------------------------	-------------

Supply voltage U_s to A0/A1 (see name plate)	DC 10.2...84 V
---	----------------

IR157x:

Power consumption	≤ 5 VA
-------------------------	--------

Response values

Response value R_{an1} (Alarm1)	2 kΩ...1 MΩ
---	-------------

Response value R_{an2} (Alarm2)	2 kΩ...1 MΩ
---	-------------

Absolute error (2 kΩ...10 kΩ)	+2 kΩ
-------------------------------------	-------

Relative percentage error (10 kΩ...1 MΩ).....	0%...+20%
---	-----------

Response time t_{an} at $R_F = 0,5 \times R_{an}$ and $C_e = 1 \mu F$ (IR1570), at $R_{an} < 100 \text{ k}\Omega$	≤ 1 s
---	-------

Response time t_{an} at $R_F = 0,5 \times R_{an}$ and $C_e = 1 \mu F$ (IR1575)	≤ 5 s
--	-------

Measuring time	see characteristic curves
----------------------	---------------------------

Hysteresis (2 kΩ...10 kΩ)	+2 kΩ
---------------------------------	-------

Hysteresis (10 kΩ...1 MΩ).....	25%
--------------------------------	-----

Measuring circuit

Measuring voltage U_m	≤ 20 V
Measuring current I_m (at $R_F = 0 \Omega$)	≤ 170 μ A
Internal DC resistance R_i	≥ 119 k Ω
Internal impedance Z_i , at 50 Hz	≥ 114 k Ω
Permissible extraneous DC voltage U_{fg}	\leq DC 680 V
Permissible system leakage capacitance IR1570 C_e	≤ 20 μ F
Permissible system leakage capacitance IR1575 C_e	≤ 60 μ F

Displays

Display, illuminated	two-line display
Characters (number of)	2 x 16
Display range, measuring value	1 k Ω . . . 5 M Ω
Absolute error (1 k Ω . . . 10 k Ω)	± 1 k Ω
Relative percentage error (10 k Ω . . . 5 M Ω)	± 10 %

Outputs/inputs

TEST/ RESET button	internal/external
Max. cable length TEST/RESET button external	10 m

Switching components

Switching components	2 changeover contacts
Operating principle	N/O or N/C operation
Factory setting (Alarm1/Alarm2)	N/O operation
Electrical endurance	12 000 switching operations
Contact class	IIB acc. to DIN IEC 60255 part 0 . . . 20
Rated contact voltage	AC 250 V/DC 300 V
Making capacity	UC 5 A
Breaking capacity	2 A, AC 230 V, $\cos \phi = 0,4$
.....	0,2 A, DC 220 V, L/R = 0,04 s
Minimum contact current at DC 24 V	2 mA (50 mW)

General data

EMC immunity	acc. to EN 61326
EMC emission	acc. to EN 61326
Shock resistance IEC 60068-2-27 (device in operation)	15 g/11 ms
Bumping IEC 60068-2-29 (during transport)	40 g/6 ms
Vibration resistance IEC 60068-2-6 (device in operation)	1 g/10 . . . 150 Hz
Vibration resistance IEC 60068-2-6 (during transport)	2 g/10 . . . 150 Hz
Ambient temperature (during operation)	-10 $^{\circ}$ C . . . +55 $^{\circ}$ C
Ambient temperature (when stored)	-40 $^{\circ}$ C . . . +70 $^{\circ}$ C

Climatic class acc. to IEC 60721-3-3.....	3K23
Operating mode.....	continuous operation
Mounting.....	as indicated on the display
Connection.....	screw terminals
Connection, rigid/flexible.....	0.2...4 mm ² /0.2...2.5 mm ²
Connection, flexible with connector sleeve, without/with plastic sleeve.....	0.25...2.5 mm ²
Conductor sizes (AWG).....	24...12
Degree of protection, internal components (DIN EN 60529).....	IP30
Degree of protection, terminals (DIN EN 60529).....	IP20
Type of enclosure.....	installation housing 96 x 96 mm
Flammability class.....	UL94 V-2
Weight.....	approx. 400 g

Option „W“

Shock resistance IEC 60068-2-27 (device in operation).....	30 g/11 ms
Bumping IEC 60068-2-29 (during transport).....	40 g/6 ms
Vibration resistance IEC 60068-2-6.....	1.6 mm/10...25 Hz
.....	4 g/25...150 Hz
Ambient temperature (during operation).....	-25 °C...+70 °C
Ambient temperature (during operation), $U_S = AC 340 \dots 460 V$ at A0/A2	-25 °C...+55 °C
Ambient temperature (when stored).....	-40 °C...+85 °C

6.2 Standards and approvals

The ISOMETER® was designed under consideration of the following standards:

- EN 60664-1
- EN 61326-2-4
- EN 61557-1
- EN 61557-8

Subject to change! The specified standards take into account the edition valid until 03.2021 unless otherwise indicated.

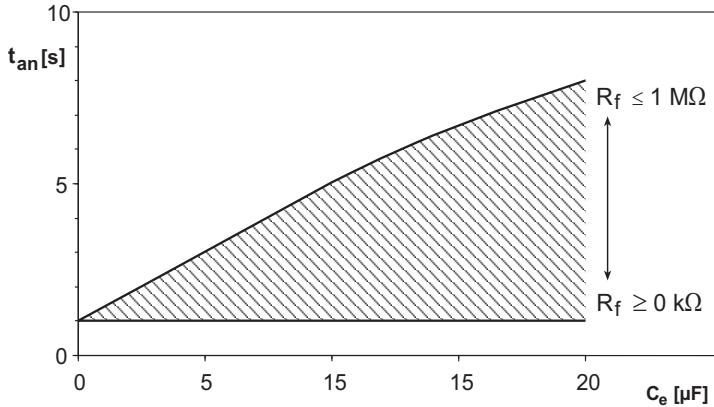


6.3 Characteristic curves

ISOMETER® response times in relation to system leakage capacitances of:

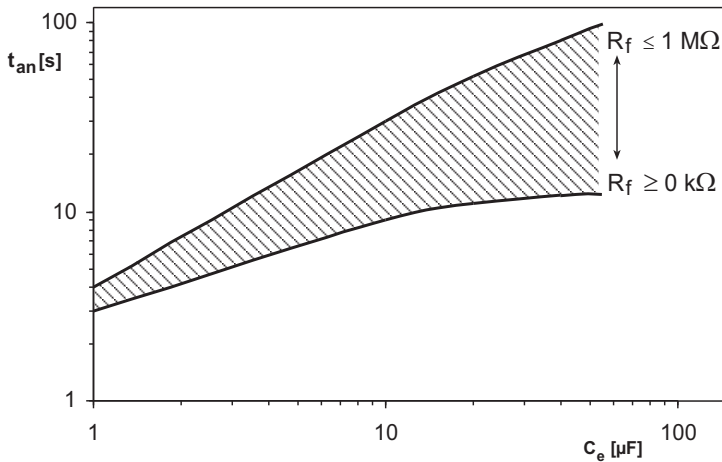
$$C_e = 1 \dots 20 \mu\text{F}, U_n = 0 \dots 460 \text{ V}/50 \text{ Hz}$$

IR1570

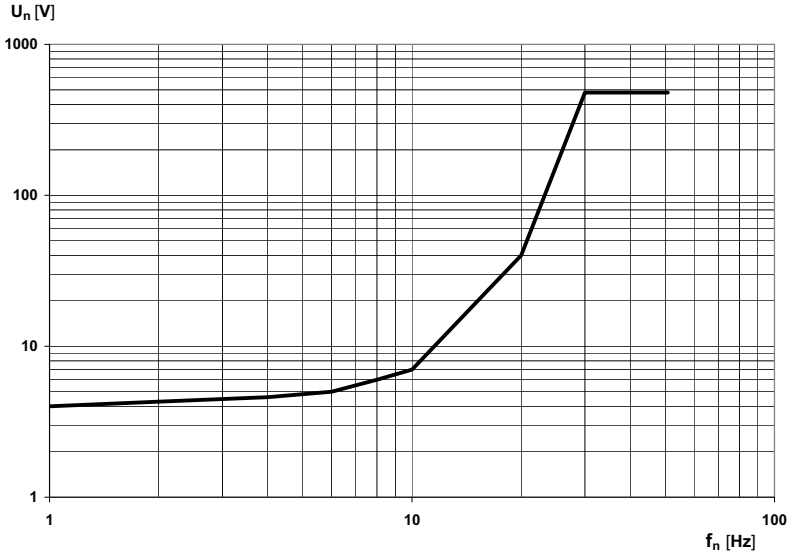


$$C_e = 1 \dots 60 \mu\text{F}, U_n = 0 \dots 460 \text{ V}/50 \text{ Hz}$$

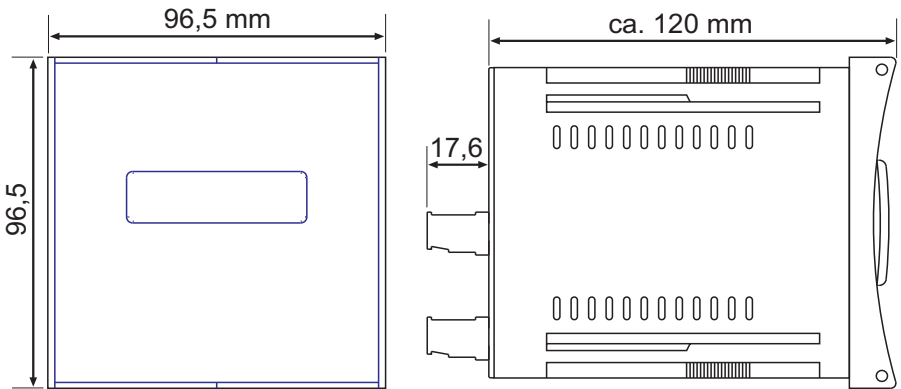
IR1575



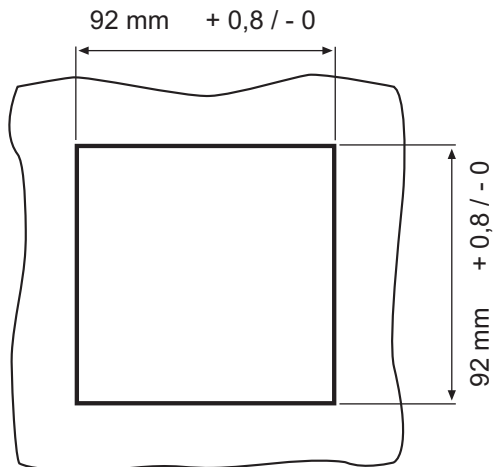
Max. AC voltage between the IT system and earth in the frequency range < 50 Hz



6.4 Dimension diagram enclosure IR157x



suitable for the installation into control panel,
the following illustration shows the necessary outbreak:



6.5 Ordering details

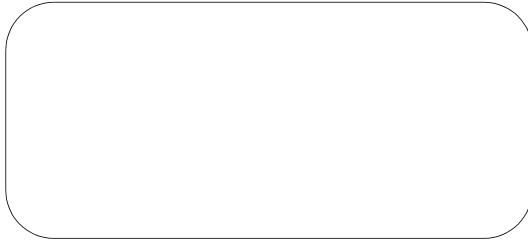
6.5.1 Standard version

Type	Nominal voltage U_n	Supply voltage U_s	Art. No.
IR1570-435	3(N)AC 0...480 V AC 0...480 V	AC 88...264 V AC 340...460 V DC 77...286 V	B91044000
IR1570W-435	3(N)AC 0...480 V AC 0...480 V	AC 88...264 V AC 340...460 V DC 77...286 V	B91044000W
IR1570-434	3(N)AC 0...480 V AC 0...480 V	AC 16...72 V DC 10,2...84 V	B91044002
IR1575-435	3(N)AC 0...480 V AC 0...480 V DC 0...480 V	AC 88...264 V AC 340...460 V DC 77...286 V	B91064000
IR1575W-435	3(N)AC 0...480 V AC 0...480 V DC 0...480 V	AC 88...264 V AC 340...460 V DC 77...286 V	B91064000W
IR1575-434	3(N)AC 0...480 V AC 0...480 V	AC 16...72 V DC 10,2...84 V	B91064003

Devices with ending "W" provide improved shock and vibration resistance. A special varnish of the electronics provides higher resistance against mechanical stress and moisture. This makes the devices suitable for use in ships, on rolling stock and in seismic environment.

6.5.2 Label for modified versions

There will only be a label in this field if the ISOMETER® is different from the standard version.



INDEX

A

- Alarm LED 1 19
- Alarm LED 2 19
- Alarm relays, operating principle 24

C

- Characteristic curves 33
- Commissioning flow chart 13

D

- Device characteristics 9
- Directions for installation 7
- Display in the menu mode 20
- Display in the Standard mode 20

E

- Enclosure, dimension diagram 35
- Error messages 11
- Explanations of symbols and warnings 7
- External Reset button 18
- External Test button 18

F

- Factory setting 8
- Fault memory, setting 26
- Function 10
- Function keys 21

I

- Inspection, transport and storage 6

L

- Language, selecting 28

M

- Menu
 - INFO 29
 - ISO SETUP 24
 - LANGUAGE 28
 - Navigation 22
 - PASSWORD 27
 - SERVICE 29
 - structure 23

N

- Navigation within the menu 22

O

- Operating elements and displays 19
- Option W 9, 36
- Ordering details 36

P

- Parameters, changing 22
- Password, setting and activating 27
- Product description 9

R

- RESET button 10, 19
- Reset of process control 12
- Response time 33

S

- Self test 11, 19
- Standards 32
- System fault relay 26

T

Technical data 30

TEST button 19

W

Wiring diagram 18



Bender GmbH & Co. KG

Londorfer Str. 65 • 35305 Grünberg • Germany
PO box 1161 • 35301 Grünberg • Germany

Tel.: +49 6401 807-0

Fax: +49 6401 807-259

E-mail: info@bender.de

Web: <https://www.bender.de>

Photos: Bender archive.



BENDER Group